

ASSEMBLY INSTRUCTION FOR MOPF-KD45-27888-BW-75"

Note:

- Read instructions carefully.
- Carefully identify each component especially those that are similar.
- Separate and identify each component from the hardware pack and rust each one in its proper location before fastening.
- Do not over tighten the screws or bolts when assembling.

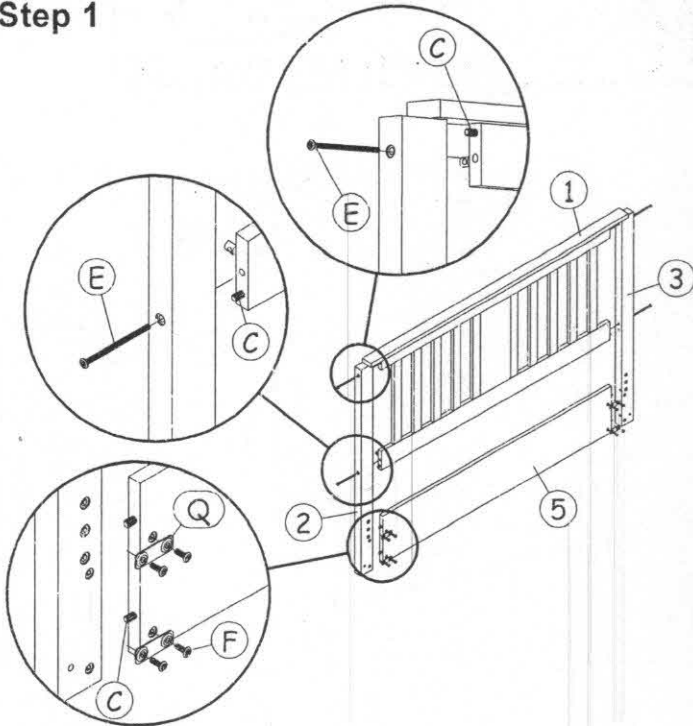


2 Persons

TOOL REQUIRED

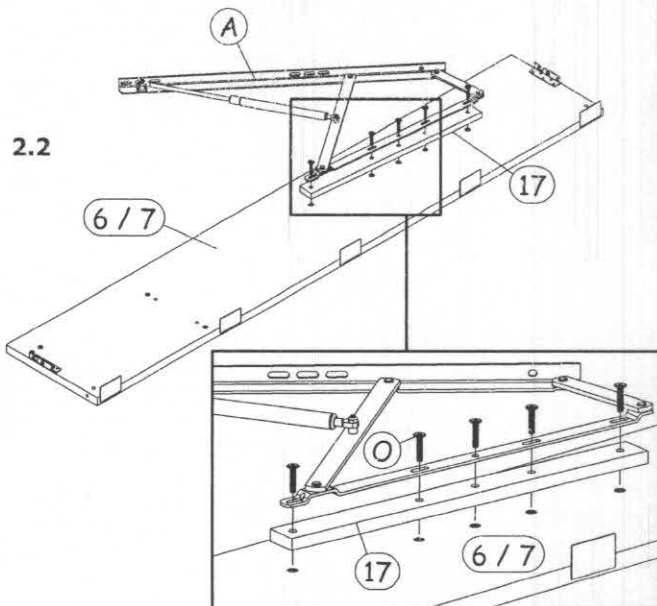
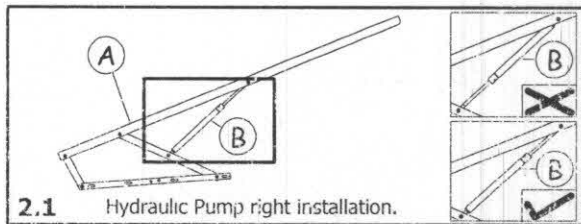


Step 1



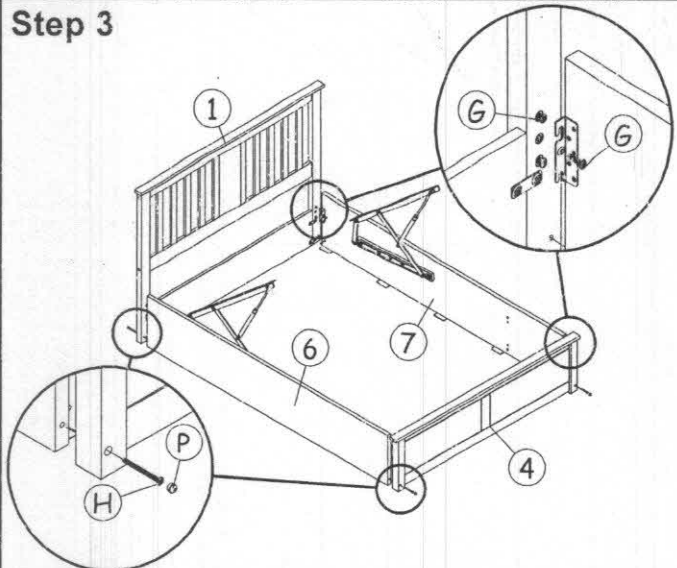
Fix all headboard component as shown

Step 2



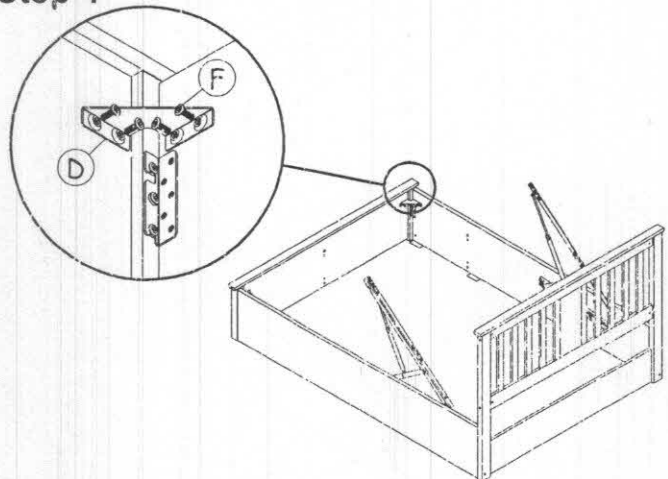
Firstly, fix the hydraulic pump to each hydraulic base as shown in diagram 2.1. Next, fix the left & right hydraulic spacer together with hydraulic base supporter to the both side rails using bolts '17' as shown in diagram 2.2 and tighten all bolts.

Step 3



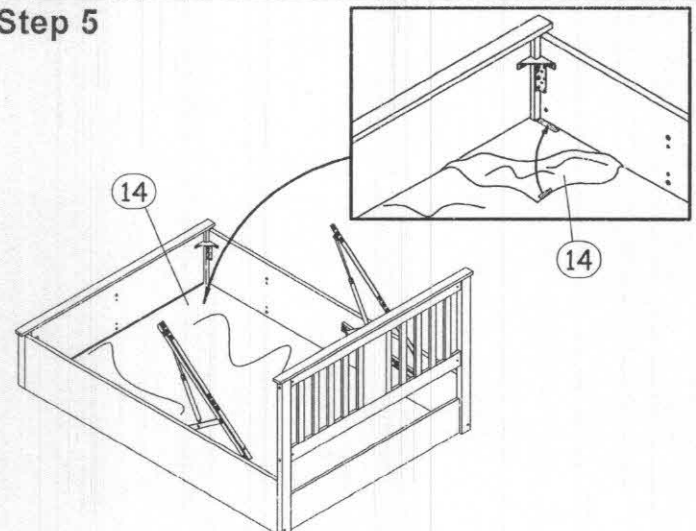
Fix side rails to the headboard and footboard with hardware as shown.

Step 4



Fix metal corner block 'D' to the edge of footboard and side rails with bolts 'F' as shown.

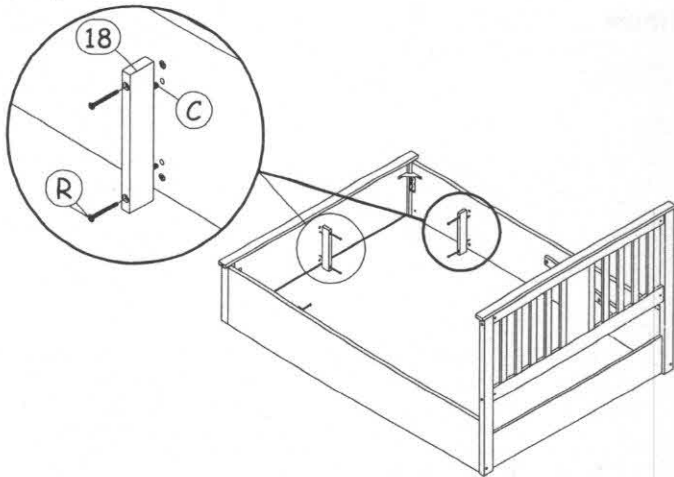
Step 5



Attach Non-Woven Fabric '14' at the bottom as shown in diagram.

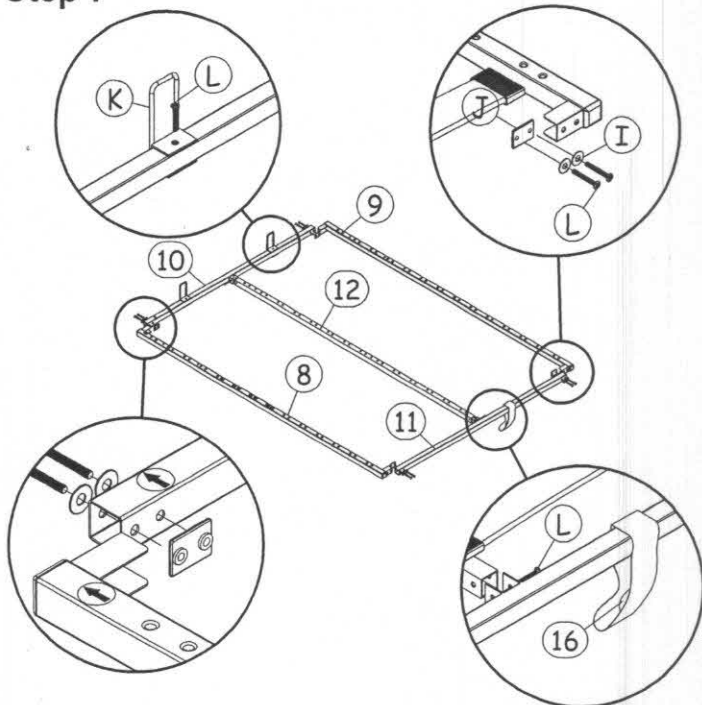
Please follow our assembly instruction procedure for easier assemble.

Step 6



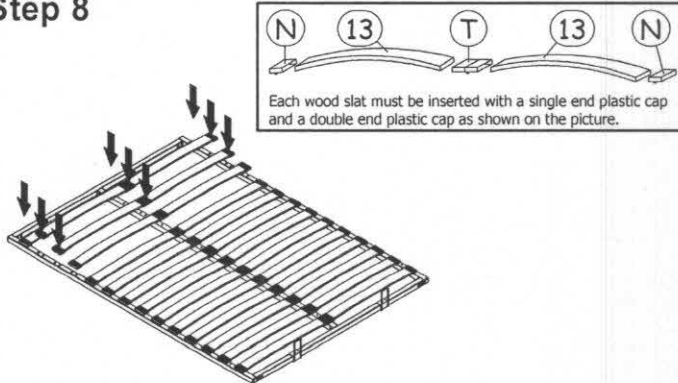
Fix support wood to the side rails and footboard with hardware as shown.

Step 7



Join together all the bed base parts (8),(9),(10),(11) and (12) using hardware parts L. Attach hardware parts K using hardware part L and then attach hardware part 16 by slot to the part (11) as shown.
Important note: Please assemble follow arrow direction.

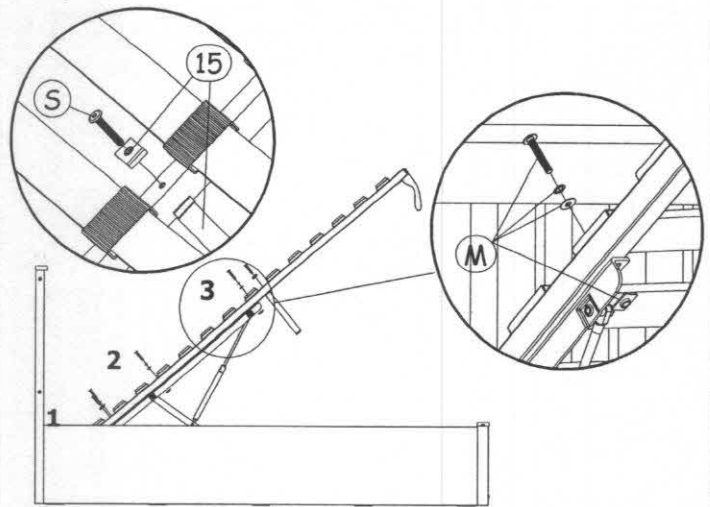
Step 8



Each wood slat must be inserted with a single end plastic cap and a double end plastic cap as shown on the picture.

Place wood slats with plastic caps as above drawing. Then, fix it on the bed base by pressing it accordingly to the default holes. Ensure the plastic cap's pin is aimed to the hole.

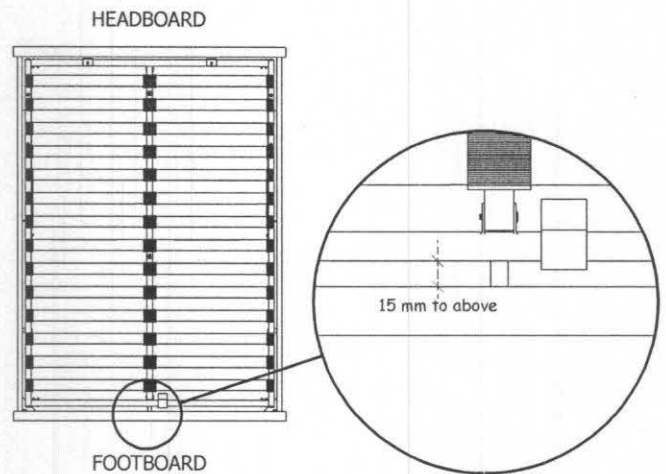
Step 9



Assemble the bed base on the right & left hydraulic frame and fix bolts starting from '1' to '3' as shown.

Important note : Do not tighten the bolts yet!

Step 10

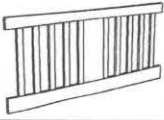





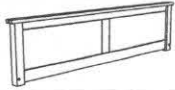



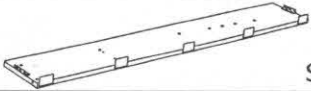

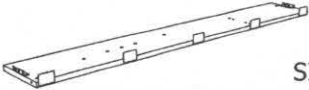







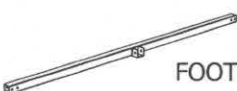
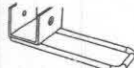








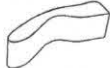

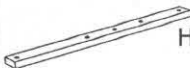










Adjust the bed base, make sure distance with the front footboard approximately 15mm to above gap as shown.

Important note : Tighten all bolts & screws.

Please follow our assembly instruction procedure for easier assemble.

PARTS & HARDWARE LIST FOR MOPF-KD45-27888-BW-75"

PART LIST				NO.	ITEM	QTY.
NO.	ITEM		QTY.			
1		HEADBOARD FRAME	1 PC	A	 HYDRAULIC BASE SUPPORT - L/R	2 PCS
2		WOOD POST (L)	1 PC	B	 HYDRAULIC PUMP	2 PCS
3		WOOD POST (R)	1 PC	C	 WOOD DOWEL 8 x 30	14 PCS
4		FOOTBOARD	1 PC	D	 CORNER BRACKET	2 PCS
5		BACK STORAGE PANEL	1 PC	E	 JCBC BOLT M6 x 100MM c/w BARREL NUT	4 PCS
6		SIDE RAIL (L)	1 PC	F	 JCBC BOLT M6 x 15MM	16 PCS
7		SIDE RAIL (R)	1 PC	G	 JCBC BOLT M6 x 20MM	12 PCS
8		LEFT SIDE METAL BAR	1 PC	H	 JCBC BOLT M6 x 70MM c/w BARREL NUT	4 PCS
9		RIGHT SIDE METAL BAR	1 PC	I	 FLAT WASHER	8 PCS
10		HEADBOARD END METAL BAR	1 PC	J	 WASHER BRACKET	4 PCS
11		FOOTBOARD END METAL BAR	1 PC	K	 BASE HANDLE	2 PCS
12		CENTER METAL BAR	1 PC	L	 JCBC BOLT M6 x 45MM	12 PCS
13		SLAT	26 PCS	M	 M8 x 45MM JCBB BOLT c/w NUT BRACKET, SPRING & FLAT WASHER	6 PCS
14		NON-WOVEN FABRIC SHEET	1 PC	N	 SINGLE END PLASTIC CAP	28 PCS
15		SUPPORT LEG	2 PCS	O	 JCBB BOLT M8 x 35MM	10 PCS
16		BELT HANDLE	1 PC	P	 WOOD BUTTON	2 PCS
17		HYDRAULIC ARM SUPPORT	2 PCS	Q	 BRACKET	4 PCS
18		BASE SUPPORT WOOD	3 PCS	R	 JCBC BOLT M6 x 60mm	6 PCS
				S	 JCBC BOLT M8 x 40mm (ASSEMBLED)	2 PCS
				T	 DOUBLE END PLASTIC CAP	14 PCS
				U	 ALLEN KEY - M6	1 PC
				V	 ALLEN KEY - M8	1 PC
				W	 M12.8 SPANAR	1 PC

CAUTION : KEEP ALL HARDWARE PARTS OUT OF REACH OF CHILDREN

Please follow our assembly instruction procedure for easier assemble.

" IMPORTANT NOTE "

WHEN THE BED IS BUILT AND THE MATTRESS FRAME IS AT 45 DEGREE
PLEASE PLACE THE MATTRESS ON THE BED.

PLEASE NOTE THAT THE WEIGHT OF THE MATTRESS IS REQUIRED TO
HELP CLOSE THE BED.

TO LOWER THE SLEEPING PLATFORM STAND AT THE FOOT END OF THE
BED AND PUSH SHARPLY
DOWNWARDS USING BOTH HANDS.

